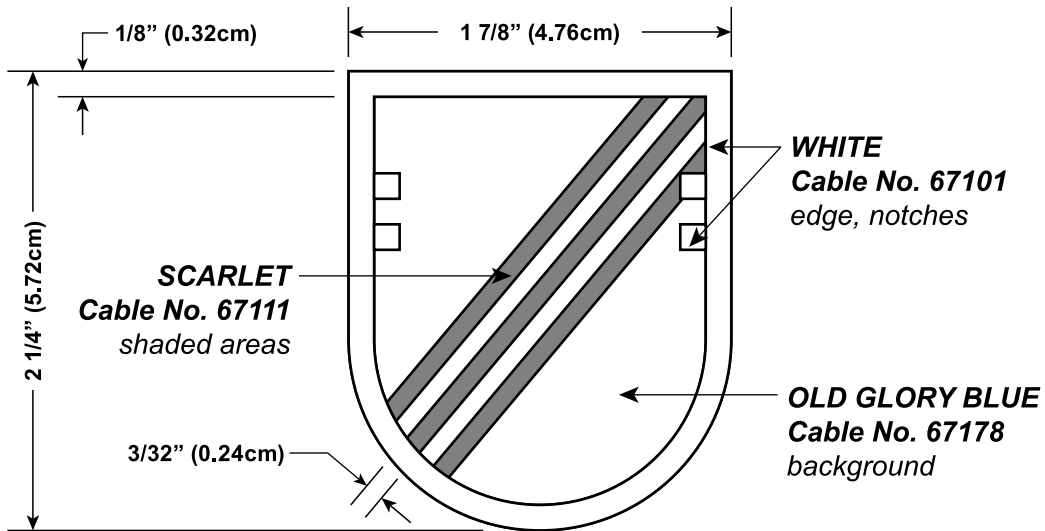


REVISIONS

LTR	DESCRIPTION	DATE	APPROVED
-----	-------------	------	----------



DESIGNED FOR OVEREDGE STITCHING

UNLESS OTHERWISE SPECIFIED DIMENSIONS ARE IN INCHES TOLERANCES ON FRACTIONS DECIMALS ANGLES

MATERIALS:
TO BE MANUFACTURED IN ACCORDANCE WITH MIL-DTL-14652

EXAMINED	<i>TLC</i>	
CHECKED	<i>CA</i>	<i>SAD</i>
PREPARED	<i>AWW</i>	

APPROVED

CHARLES V. MUGNO
DIRECTOR

THE INSTITUTE OF HERALDRY, DEPARTMENT OF THE ARMY
9325 GUNSTON RD, RM S-113 FORT BELVOIR, VA 22060-5579

BERET FLASH
2ND SECURITY FORCE ASSISTANCE BRIGADE

SIZE B	CONTROL IDENT. NO 22571	A-4-317
------------------	-----------------------------------	----------------

SCALE	FULL	DATE	15 MARCH 2018
-------	------	------	----------------------